



















Bag 1

K2  x38	T1  x22	M1  x22	S10  3x18 x8	P2  UP 3,5x18 x10	W2  x8	W3  US 4x30 x4	S9  x4	K11  x16	K7  x1	Z1  x10	B2  x6
--	---	---	---	--	--	---	--	--	--	---	--

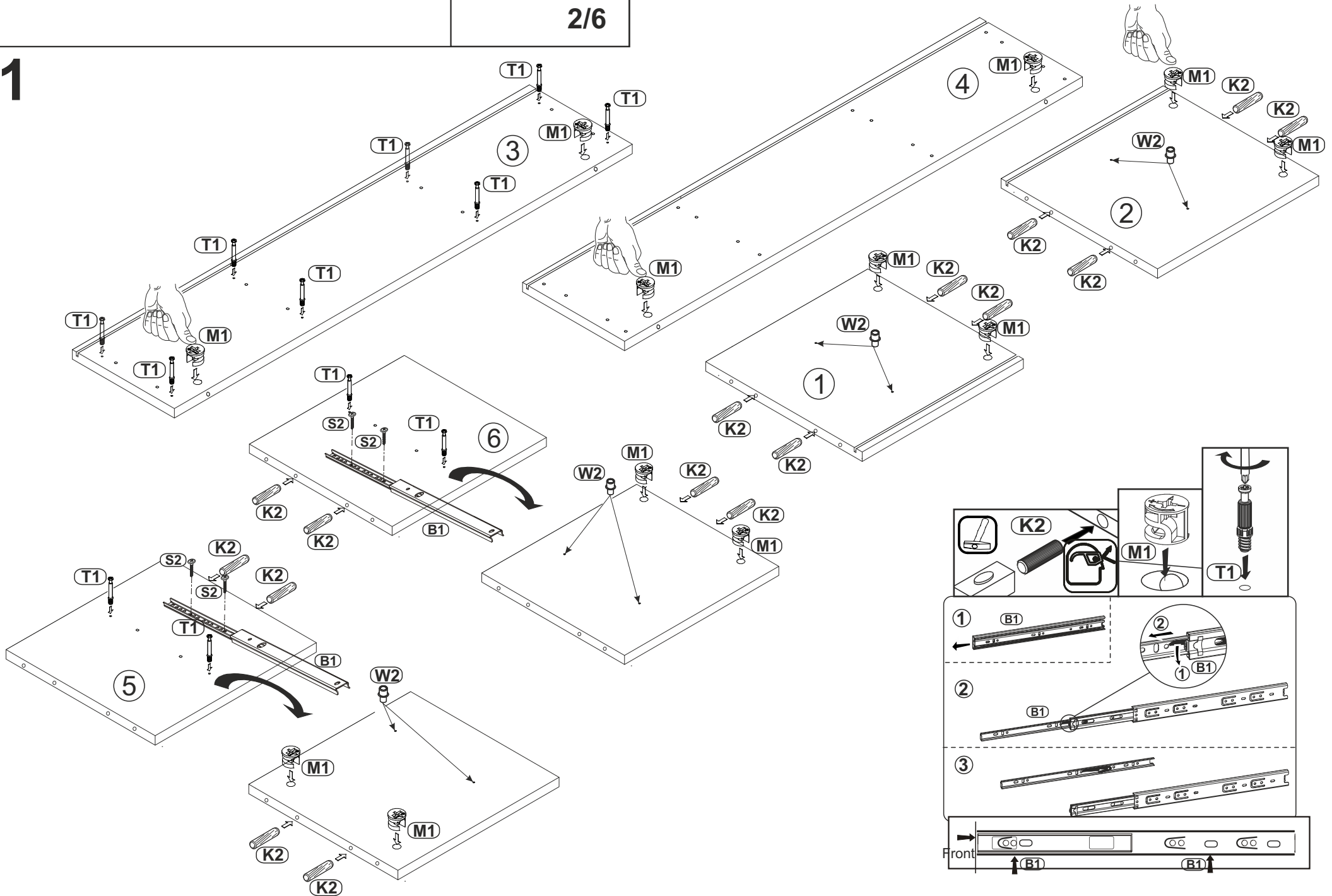
Bag 2

Z8  x4	Z7  x4	S3  US 4x13 x12
--	--	--

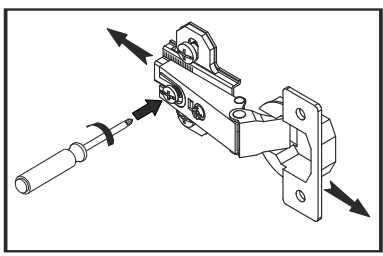
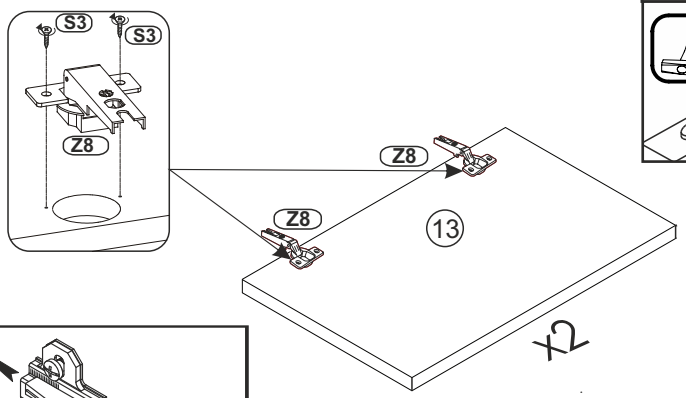
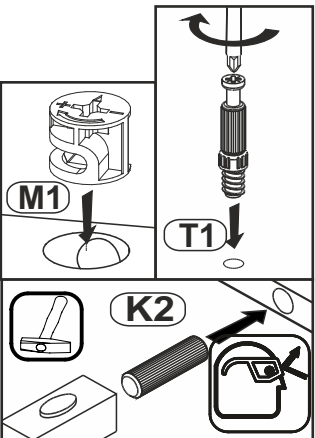
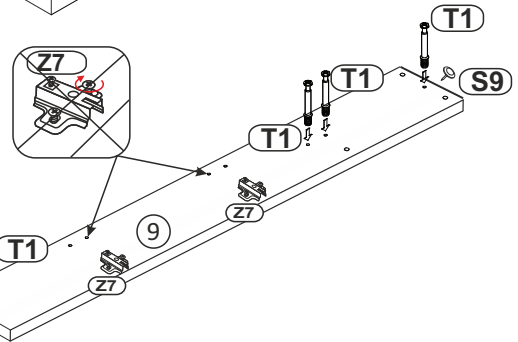
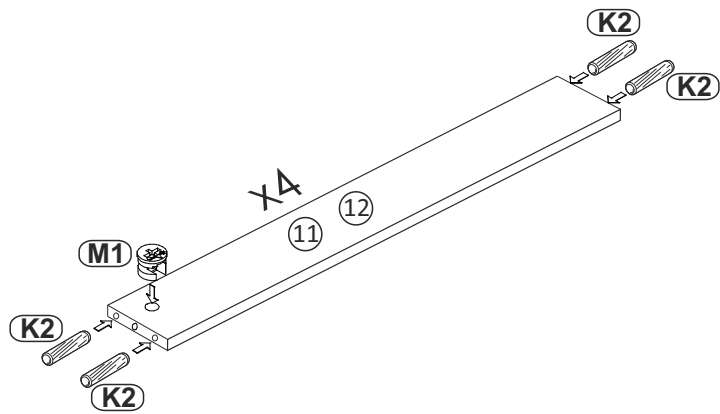
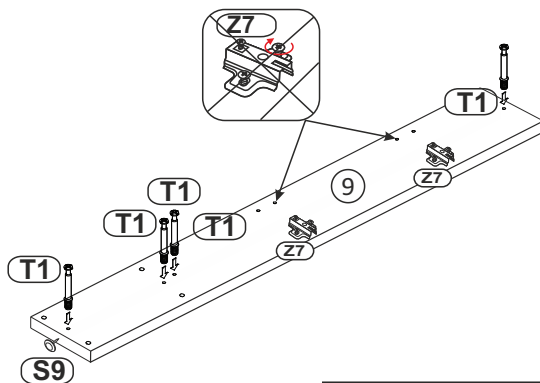
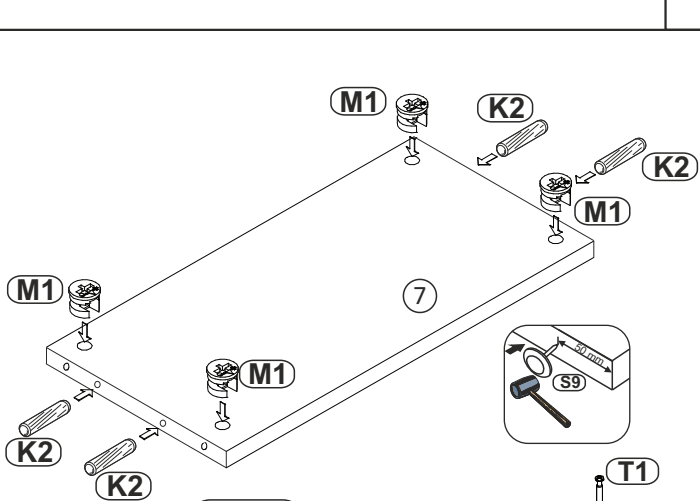
Bag 3

B1  x1	E1  UP 3,5x13 x8	F1  x1
---	---	--

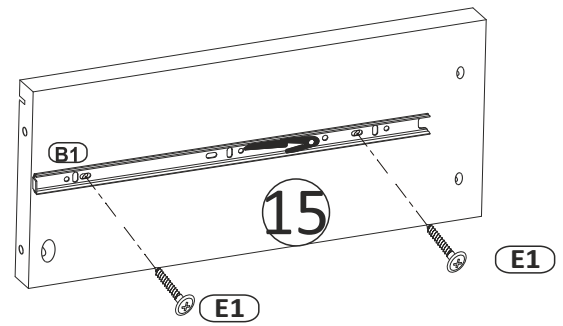
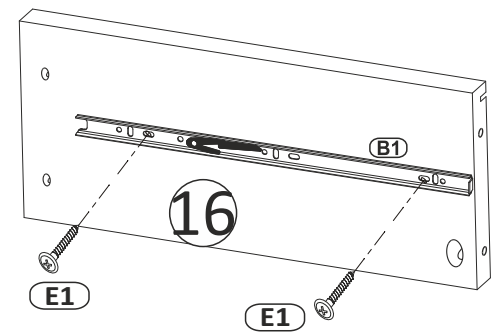
1



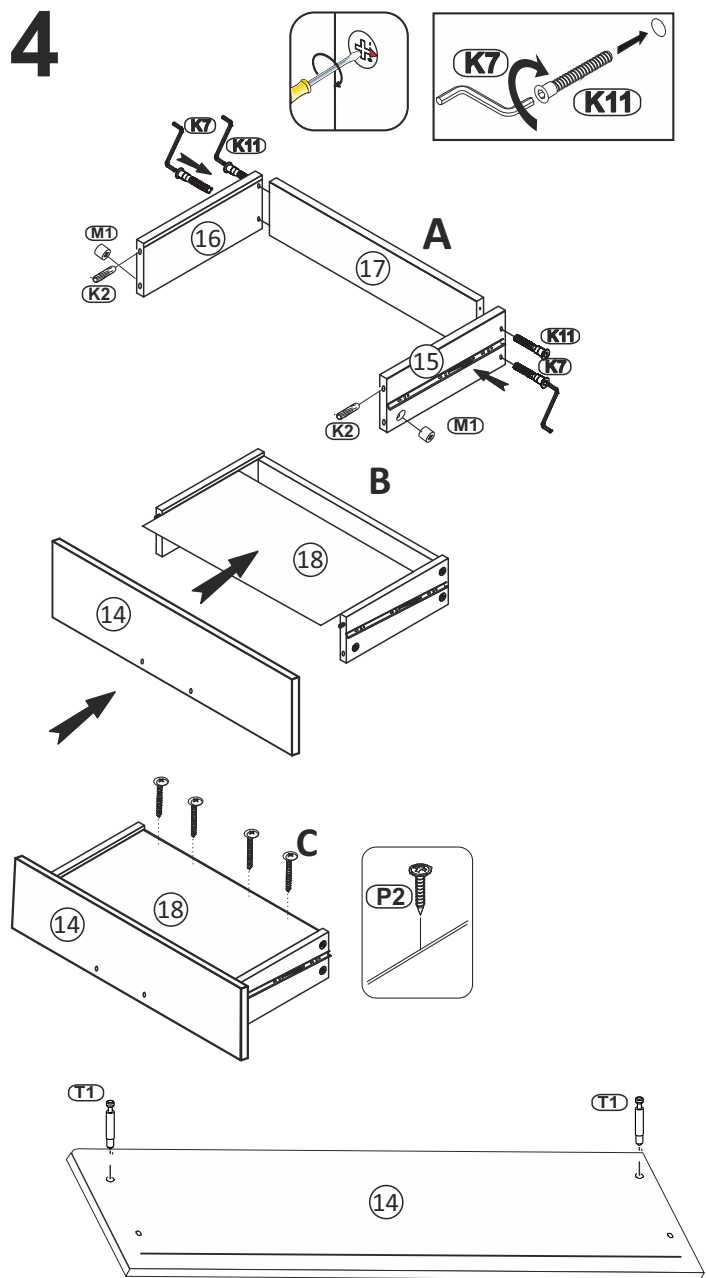
2



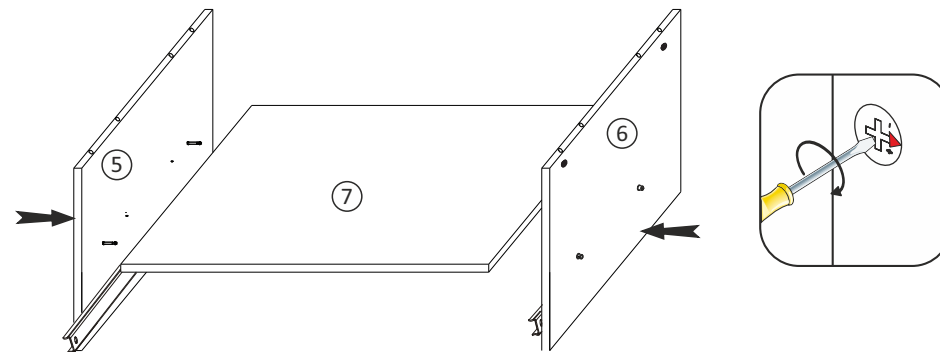
3



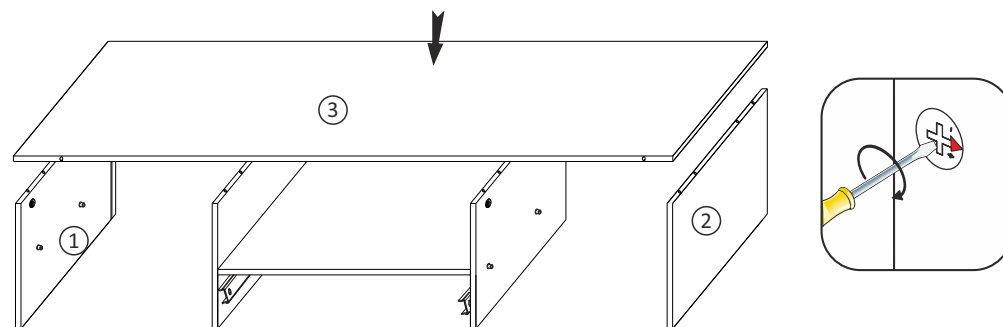
4



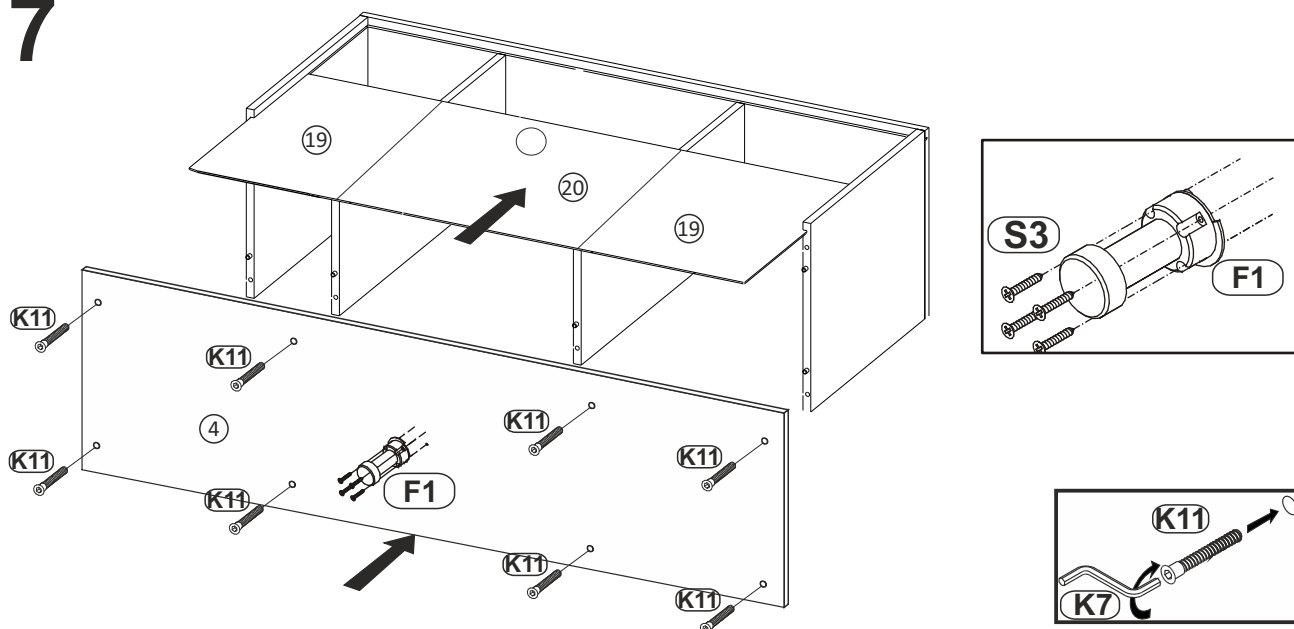
5



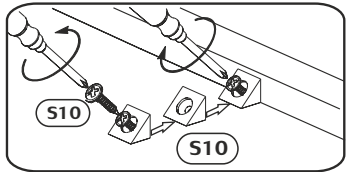
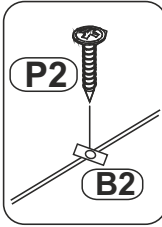
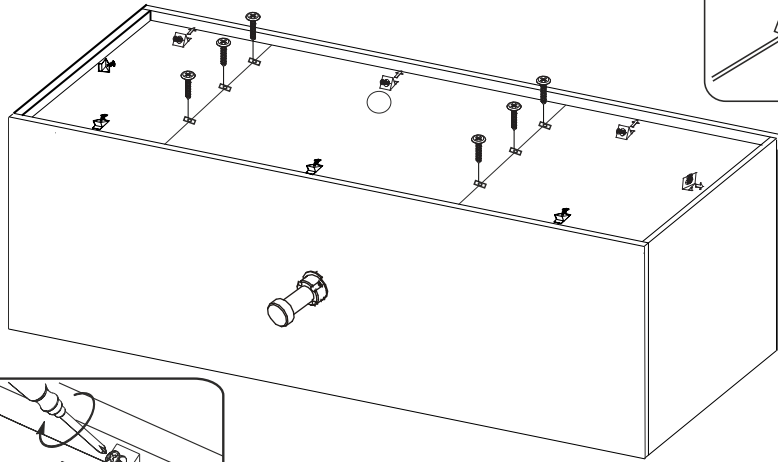
6



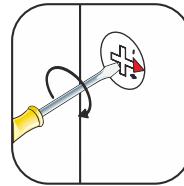
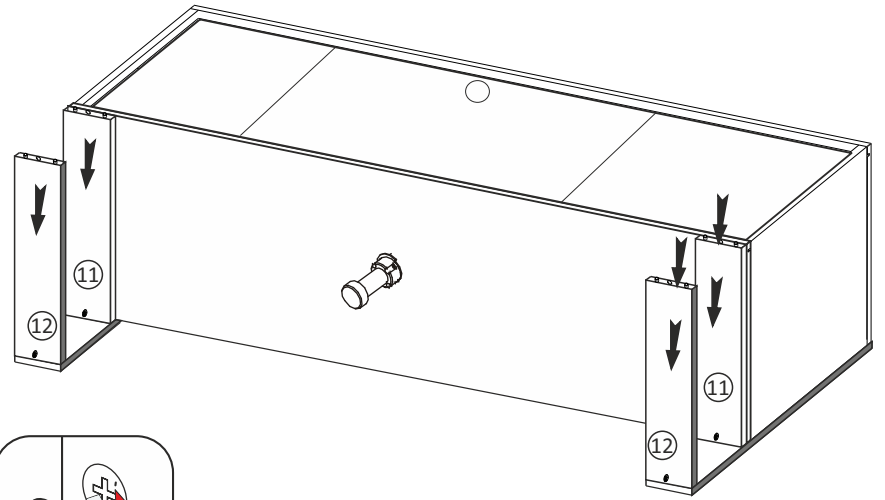
7



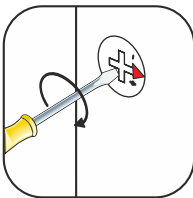
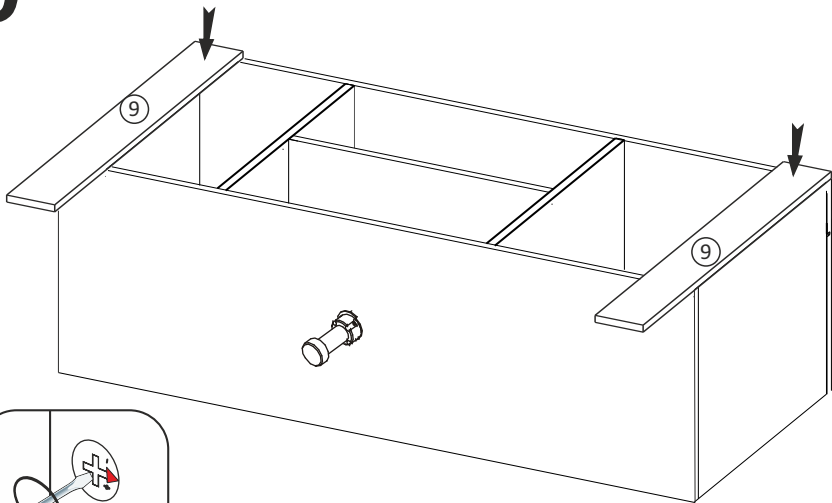
8



10



9



11

